

# SPA 6 - 3.2 | VRLA Battery



## Applications

- Uninterruptible Power Supplies (UPS)
- Electric Power Systems (EPS)
- Emergency backup power supplies
- Electronic apparatus and equipment
- Communication power supplies
- DC power supplies
- Auto control system

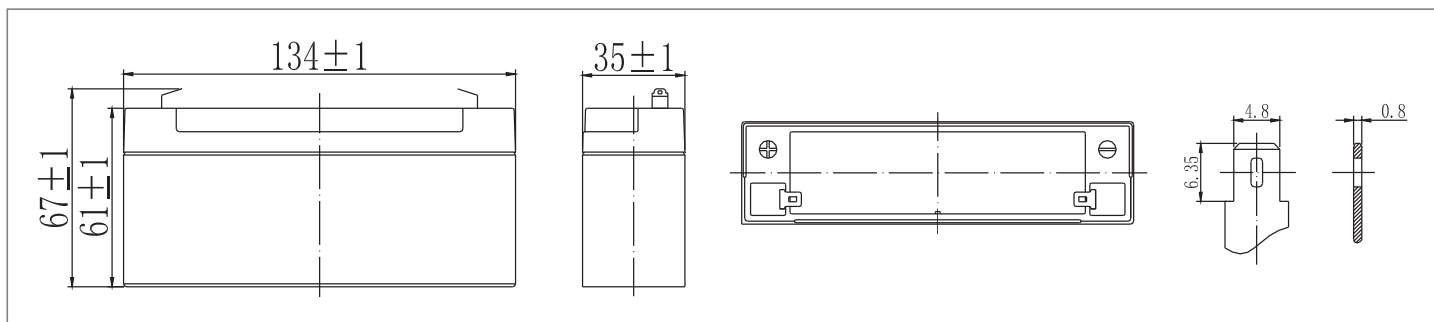
## Specifications

Nominal Voltage	6 V	
Number of cells	3	
Design Life	10 years	
Dimensions	Length	134 mm
	Width	35 mm
	Height	61 mm
	Total Height	67 mm
Approx. Weight	0.62 kg	
Nominal Capacity (25°C)	20 hours rate (0.16 A, 5.25 V)	3.20 Ah
	10 hours rate (0.30 A, 5.25 V)	3.00 Ah
	5 hours rate (0.54 A, 5.25 V)	2.70 Ah
	1 hour rate (2.08 A, 4.80 V)	2.08 Ah
Max. Discharge Current (25°C)	48 A (5s)	
Max. Charging Current (25°C)	0.96 A	
Internal Resistance	28 mOhms	
Fully Charged battery (25°C)		
Self-Discharge (25°C)	3% of capacity declined per month (average)	
	Discharge	-15~50°C
	Charge	-10~50°C
Operating Temperature Range	Storage : -20~50°C	
Short Circuit Current	200 A	
Charging Characteristics (25°C)	Boost charging voltage	2.40-2.45 Vpc
	Temperature compensation	-30 mV/°C
	Float charging voltage	2.25-2.30 Vpc
	Temperature compensation	-18 mV/°C

## Battery Construction

Component	Positive Plate	Negative Plate	Container	Cover	Safety Valve	Terminal	Separator	Electrolyte
Raw material	Lead dioxide	Lead	ABS	ABS	Rubber	Copper	Fiberglass	Sulfuric acid

## Dimensions



## Constant Current Discharge (Amperes) at 25°C

End Voltage (Volts/Cell)	5 min	10 min	15 min	30 min	1 h	2 h	3 h	4 h	5 h	10 h	20 h
1.60 V	12.2	7.68	6.08	3.39	2.08	1.14	0.82	0.65	0.55	0.30	0.16
1.65 V	11.8	7.45	5.93	3.32	2.05	1.13	0.81	0.65	0.55	0.30	0.16
1.70 V	11.3	7.14	5.72	3.22	2.00	1.12	0.81	0.64	0.55	0.30	0.16
1.75 V	10.8	6.84	5.52	3.14	1.96	1.10	0.80	0.64	0.54	0.30	0.16
1.80 V	10.2	6.45	5.23	3.03	1.90	1.08	0.78	0.62	0.53	0.29	0.16

## Constant Power Discharge (Watts) at 25°C

End Voltage (Volts/Cell)	5 min	10 min	15 min	30 min	1 h	2 h	3 h	4 h	5 h	10 h	20 h
1.60 V	67.9	43.3	34.7	19.4	12.0	6.65	4.85	3.89	3.31	1.81	0.97
1.65 V	65.8	42.0	33.8	19.0	11.9	6.61	4.82	3.86	3.29	1.81	0.97
1.70 V	63.1	40.3	32.6	18.5	11.6	6.55	4.79	3.84	3.27	1.80	0.97
1.75 V	60.4	38.6	31.5	18.0	11.3	6.45	4.75	3.81	3.25	1.79	0.96
1.80 V	57.0	36.4	29.8	17.4	11.0	6.29	4.61	3.70	3.15	1.75	0.94

(Note) The above characteristics data are average values obtained within three charge/discharge cycles.